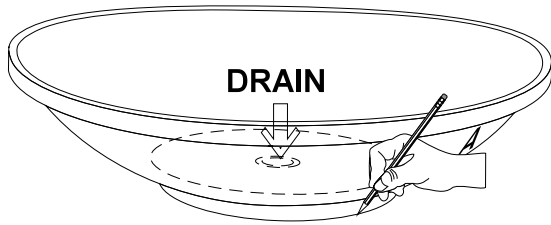
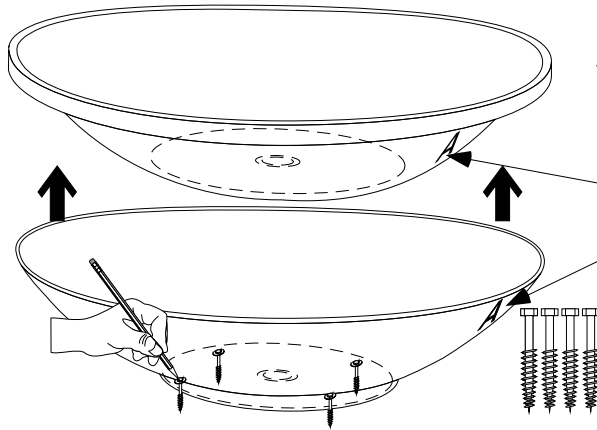


Installation Instructions for Model #7535FS (Freestanding Bath)

Read all instructions before starting installation



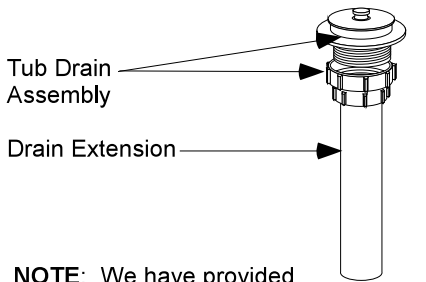
Step 1. Place the tub in the desired location and outline the location of the surround and the tub's center drain.



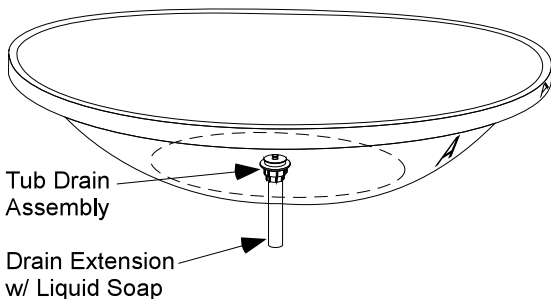
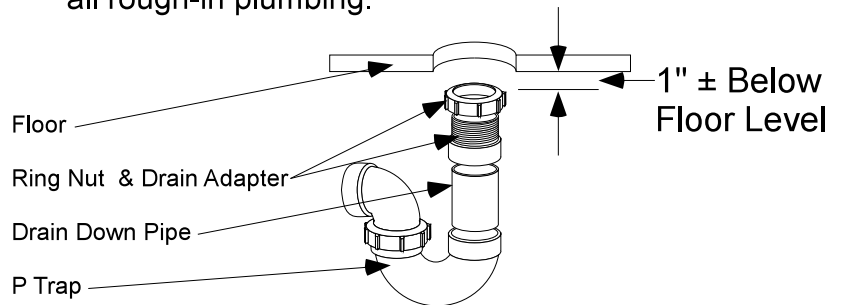
Step 2. Take the tub out of the acrylic surround and mark where you want to place the four lag screws that secure the surround to the floor.

NOTE: Both the surround and tub are marked with an "A". Make sure the A's are always aligned on the same end during installation.

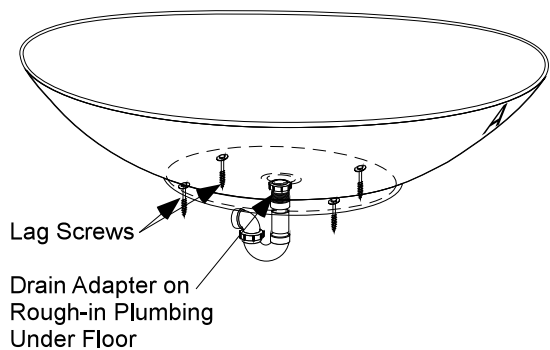
Step 3. Remove the surround and install all rough-in plumbing.



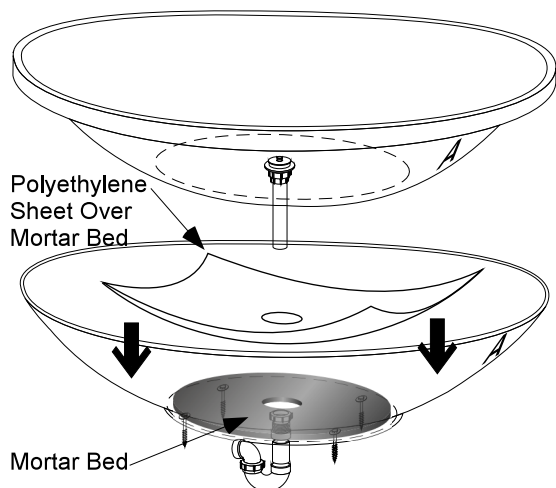
NOTE: We have provided a drain adapter and extension.



Step 4. Install the drain assembly and extension on the tub. The adapter should be installed on the rough plumbing typically 1" below floor level. Put liquid soap/detergent on the lower part of the trap extension so it will easily slide into the adapter. The nut on the adapter needs to be tight and make sure the drain extension is the correct length to seat properly into the adapter.

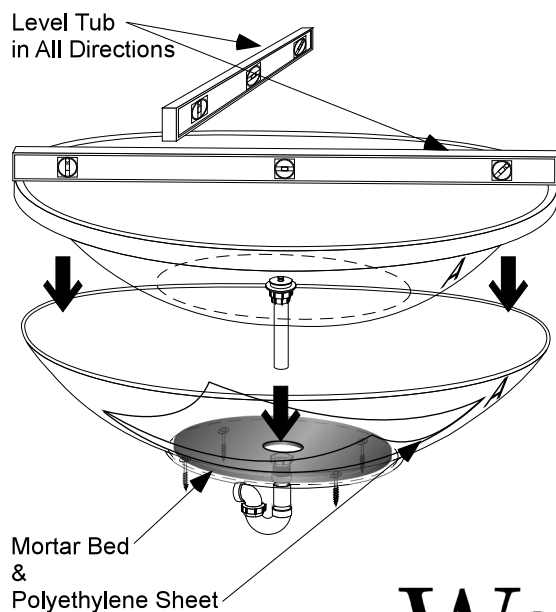


Step 5. Put the tub surround back in place and secure it to the floor with the lag screws.



Step 6. Place enough mortar on the interior floor of the surround so that it fills all voids between the tub's bottom and the floor of the surround when the tub is put into place. Cover the mortar with plastic sheet with a hole in the center so the drain extension can slide into the adapter.

The plastic sheet will allow the tub to be removed if necessary.



Step 7. Place the tub in the surround by gently pushing it down until it seats in the surround and the drain extension correctly fits into the adapter.

Level the tub in all directions.

Do not get into the tub until the mortar is thoroughly hardened.

WaterTECH

Bath Products

Whirlpool Baths • Air Baths • Combo Baths • European Baths

If you need assistance or more information please call 888-795-7480
Monday thru Fri 8am to 5pm EST